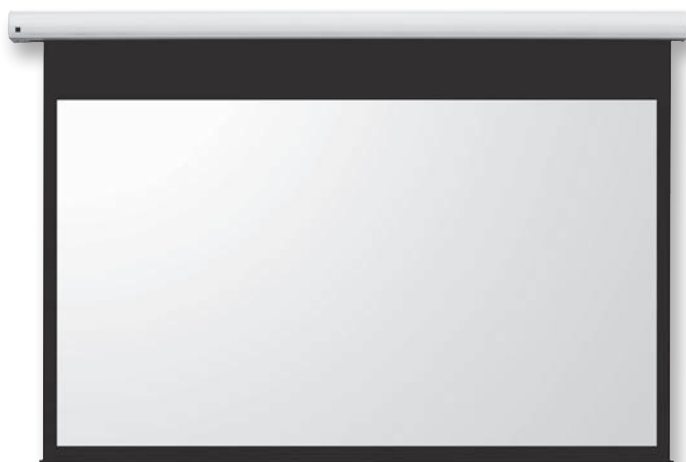


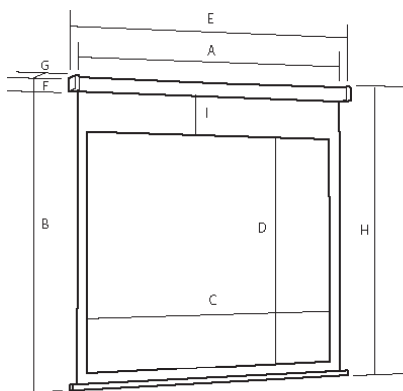
Eyeline® Pro Electric wall or ceiling mounted screens



A professional projection screen which offers an amazing array of standard features at a class beating price. High quality screen material provide a crisp flat surface for truly stunning results..

Suitable for both home and professional use and does not require electrical installation.

12 month
guarantee.



Case and fabric

Heavy duty white powder coated aluminium case with front facing infra-red (IR) sensor built into casing. Matte White projection surface with 50mm black borders on base, left and right sides and extended black drop to the top. Glass fibre screen fabric prevents edge curl.

Operation

Four ways to operate the screen; Infra-Red Remote, 12v trigger, RJ45 connection to control system or manual override for fail safe use if remote lost or dead battery. Connectivity via left hand end cap supplied with cover plate if not used.

Supplied complete with connectivity cables; External IR extension for use if built in receiver is obstructed; 10m 12v trigger for connection to a projector and a RJ45 connector for system integration.

Installation

Easy installations to wall or ceiling using channel fix mounting brackets. The brackets can be positioned anywhere along the screen length.

Tubular motor for fast, quiet and reliable operation is situated on the left hand side. Supplied with a 2.7m cable and plug for immediate 'plug and play' install. Also suitable for professional hard wire electrical installation.

Product Code	Dimension cm	Format	A Screen Width mm	B Screen Height mm	C View Width mm	D View Height mm	E Case Length mm	F Case Height mm	G Case Depth mm	H Overall Height mm	I Ext. Drop mm	Weight kg
SEV15	110X146	4:3	1560	1880	1460	1100	1700	102	97	1982	730	
SEV18	128X170	4:3	1800	1880	1700	1280	1944	102	97	1982	550	
SEV20	152X203	4:3	2103	1880	2030	1520	2270	102	97	1982	310	
SEV24	176X234	4:3	2440	1880	2340	1760	2580	102	97	1982	80	
SEV30	229x305	4:3	3105	2540	3050	2290	3297	102	97	2642	200	
SEW16	89x159	16:9	1690	1880	1590	890	1843	102	97	1982	950	
SEW18	96x170	16:9	1800	1880	1700	960	1953	102	97	1982	870	
SEW20	115x203	16:9	2103	1880	2030	1150	2279	102	97	1982	650	
SEW24	132x234	16:9	2440	1880	2340	1320	2589	102	97	1982	500	
SEW30	172x305	16:9	3105	2070	3050	1720	3297	102	97	2172	300	
SE18ST	170x106	16:10	1800	1835	1704	1065	1953	102	97	1835	870	
SE24ST	146x234	16:10	1500	1833	2340	1463	2589	102	97	1833	370	
SE30ST	190x305	16:10	3105	2155	1905	1905	3297	102	97	2172	267	